

TB37



Straight Boom



www.snorkelusa.com

Snorkel TB37

Platform

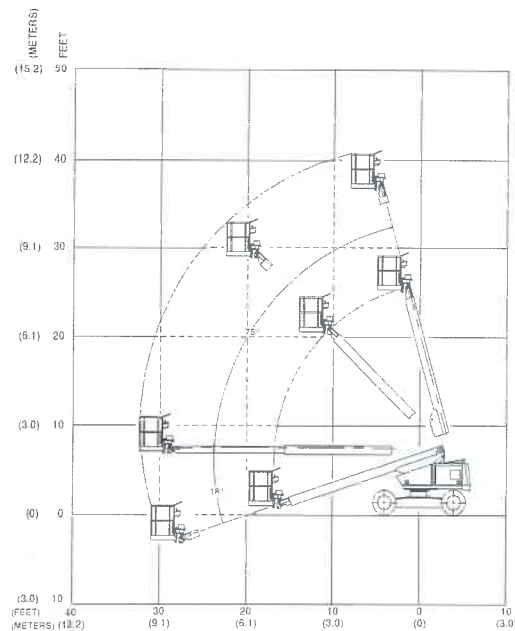
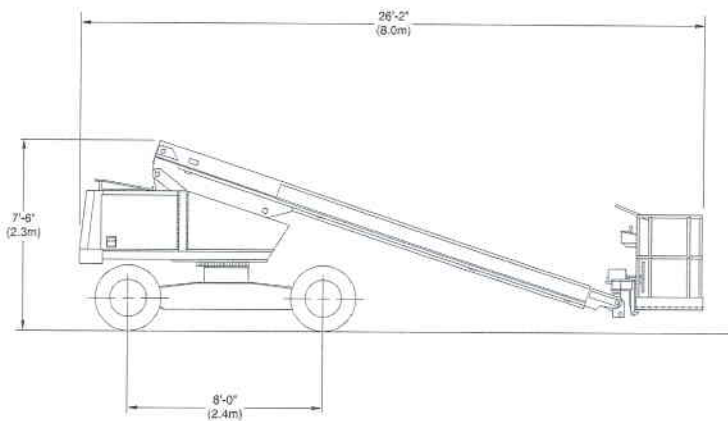
Height.....37' (11.3 m)
 Size.....30" x 60" (76 cm x 152 cm)
 Capacity.....600 lbs (272 kg)
 Construction.....Steel

Machine Dimensions

Stowed Length.....26' 2" (8 m)
 Stowed Height.....7' 6" (2.3 m)
 Wheelbase.....8' (2.4 m)
 Width.....7' 11 1/2" (2.4 m)
 Ground Clearance.....10" (25 cm)
 Weight.....10,500 lbs (4763 kg)
 Tire Size..12" x 16 1/2" (30 cm x 42 cm)

Performance

Power Source.....Gas or Diesel
 Fuel Capacity.....20 gal (75.7 L)
 Hydraulic tank cap.....20 gal (75.7 L)
 Drive Speed
 Elevated.....1 mph (1.6 km/h)
 Stowed.....3 mph (4.8 km/h)
 Gradeability (theoretical).....49%
 Horizontal Reach.....32' (9.8 m)



Standard Features

- 360 degree continuous turntable rotation
- Proportional drive, lift & swing
- Engine anti-restart
- Tie down lugs
- 180 degree hyd. Platform rotation
- Four wheel drive
- 12 volt emergency operated power
- Manual bleed down valve
- Hydraulic Oil level/temp gauges
- Driveable at full height
- 5 degree tilt alarm
- 125 volt GFCI AC outlet
- Aluminum upper boom
- Hour meter
- High engine temp/low oil pressure shut down
- Two safety lanyard attachments
- Lifting lugs

Options

- Operator Horn
- Platform control box cover
- Flashing light on boom
- Swinging gate
- Sandblast protection kit
- Driving lights
- Dual Fuel
- Platform work lights
- Spark arrestor muffler
- Two wheel drive option deduct
- Cold weather start kit
- AC Generator
- Drive motion alarm
- Foam filled tires
- Tow kit
- Platform – 96" x 30" (243.8 x 76 cm) Aluminum 600lb Cap. (272 kg)
- Platform – 96" x 30" (243.8 x 76 cm) Steel 500 lb Cap. (227 kg)
- Platform – 30" x 60" (76 x 152 cm) Aluminum 650lb (295 kg)

DANGER: Models described in this brochure are NON-INSULATED and do not provide electrocution protection from contact with or close proximity to energized conductors which is pointed out on decals and placards attached to the machine. Only qualified and trained operators are to be authorized to use and operate a work platform. Aerial work platforms must be elevated only on firm, level surface. Products in this brochure comply with applicable ANSI Standards. This literature is for illustrative purposes only. Consult Operating Maintenance and Parts Manuals for proper procedures. Specifications may vary and are subject to change without notice or obligation.

Manufacturing Plant
 2009 Roseport Road
 Elwood, Kansas 66024
 800-255-0317
 785-989-3000

Australia
 26 Redfern Road
 Wetheril Park NSW
 2164 Australia
 (02) 9725 4000